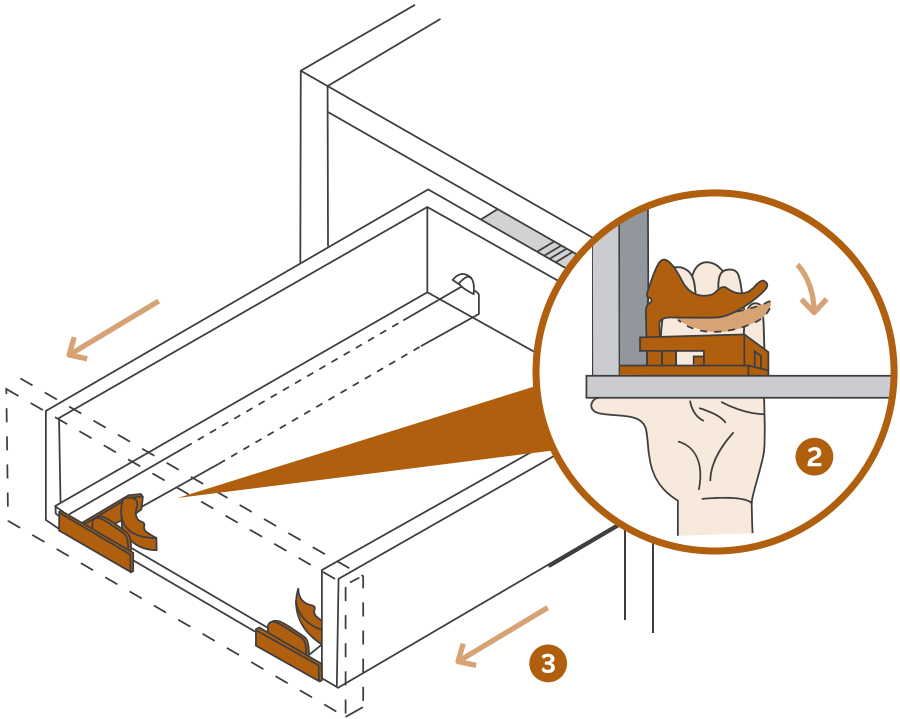


REMOVING Melamine Drawers



1 Empty the drawer

Take everything out of the drawer before attempting to remove it. Trends Kitchens' melamine drawers weigh at least 5kg when empty.

2 Press catches

Open the drawer until fully extended. Using both hands, locate the catches underneath the front panel of the drawer. Press firmly.

3 Pull drawer

While still pressing both catches, pull the drawer towards you.

